

Product Guide

User and Maintenance Information

IMPORTANT INFORMATION:

Please save this product guide. Consider making a photocopy in order to keep one copy with the product and file the other for future reference.



CUSTOMER CENTERS:

United States

359 Gibson Hill Road
Chester, NY 10918

Office hours: 9-5 EST

Phone (800) 777-4244

Fax (800) 336-5948

(845) 572-3468

www.CommunityPlaythings.com

United Kingdom

Robertsbridge

E. Sussex TN32 5DR

Phone 0800 387 457

01580 883 301

Fax 0800 387 531

01580 883 331

www.CommunityPlaythings.co.uk



community playthings

J505 5" Me-Do-It Chair J506 6-1/2" Me-Do-It Chair

Recommended Use

The Me-Do-It Chair is designed to fit the seated infant and toddler comfortably. Seat height and depth are tailored to body measurements leaving the child's back fully supported and feet flat on the floor. This seating system gives infants and toddlers the freedom to manipulate their own environment. Chairs can be carried from one play area to another, or used as walkers. They may be adopted for dramatic play and infants will find the seat and back an easy way to pull themselves up to stand.

When used in combination with our low tables, these chairs are ideal for feeding. The J505 is recommended for children 6-18 months. A table height of 12" is preferred with this chair. The J506 is recommended for children between the ages of 13-30 months, and a table height of 14" is appropriate. Me-Do-It Chairs stack for convenient storage. Both sizes stack interchangeably.

⚠ WARNING

- ▲ This product is intended for use by children of immature judgment, therefore supervision is required at all times.
- ▲ Stack no more than five high to prevent instability.
- ▲ "Me-Do-It" Chair is intended for infants and toddlers who are capable of sitting unaided for ten minutes or more.

⚠ CAUTION

- ▲ For indoor use only. The "Me-Do-It" Chair is not waterproof.

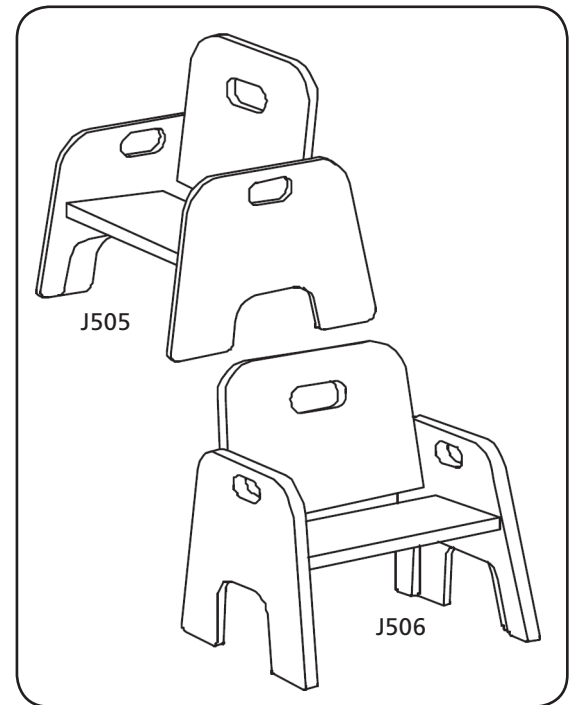
Assembly

The "Me-Do-It" Chair does not need any assembly.

If your shipment is incomplete, please call your Customer Center.

Maintenance

Periodically inspect for cracks, breaks, loose parts, loose screws, missing parts, and/or malfunctions. Remove the product from service when any condition develops that might make operation unsafe.



Cleaning

Wipe the wood parts with a damp cloth and a mild detergent. Do not use excessive water.

Construction

The wooden components are manufactured from durable birch plywood and solid maple and finished with a durable clear finish. All edges and corners are rounded for safety and ease of cleaning.

User Modifications

We cannot be responsible for modifications made by customers to our products in the field without our supervision, testing, or evaluation.

Ordering Parts

To order replacement parts, contact your Customer Center with a description of the part(s) needed and the ID Code from the product.

Use only replacement parts supplied by Community Playthings.