

Product Guide

User and Maintenance Information

Important Information: Please save this product guide.

A78 Wall-Mounted Locker Cubby

Recommended Use

The Wall-Mounted Locker Cubby is designed for situations where a full-size locker would be impractical because of limited floor space or budget.

⚠ WARNING

▲ This product is intended for use by children of immature judgement. Therefore supervision is required at all times.

⚠ CAUTION

▲ For indoor use only. This Locker Cubby is not waterproof.

Installation

Installation should be done by a competent carpenter or maintenance person.

1. Position Wall-Mounted Locker Cubby at the desired place on the wall.
2. Locate the fasteners (not included) to suit the wall construction, with at least one fastener near each end of the cleat shown in Figure 1.
3. Pre-drill the cleat at these locations.
4. Attach the Locker Cubby to the wall with fasteners appropriate to the wall construction and the weight of the fully loaded unit.

⚠ WARNING

▲ The Locker Cubby must be properly mounted before use. The customer must assume full responsibility that it will be secure for the long term.

If your shipment is incomplete, please Customer Service.

Maintenance

Periodically inspect for cracks, breaks, and loose or missing parts. Also check that the unit remains securely mounted to the wall. Remove the product from service when any condition develops that might make operation unsafe.

Cleaning

Clean the Wall Mounted Locker Cubby with soap and water. Too much water will harm the finish of the wood.

Construction

The wooden components are manufactured from solid maple, finished with a clear nontoxic finish. All edges and corners are rounded for safety and ease of cleaning. The hooks are steel, zinc-plated to resist rust.

User Modifications

We are not responsible for modifications made by customers to our products in the field, without our supervision, testing or evaluation.

Packaging Recycling

All our packaging is recyclable in two simple categories:

Packaging Materials	Recycling Category
Cardboard boxes and pads, newsprint	corrugated cardboard
Plastic wrap, sheet foam, foam pads	Plastic #4 LDPE

Please help us preserve the earth for the children and recycle at an appropriate facility.

Ordering Parts

To order replacement parts, contact your Customer Center with a description of the part(s) needed and the serial number of the product.

Use only replacement parts supplied by Community Playthings.

Customer Service:

United States

PO Box 2
Ulster Park, NY 12487
Office hours: 9-5 EST
Phone (800) 777-4244
Fax (800) 336-5948
(845) 572-3468

www.CommunityPlaythings.com
Sales@CommunityPlaythings.com

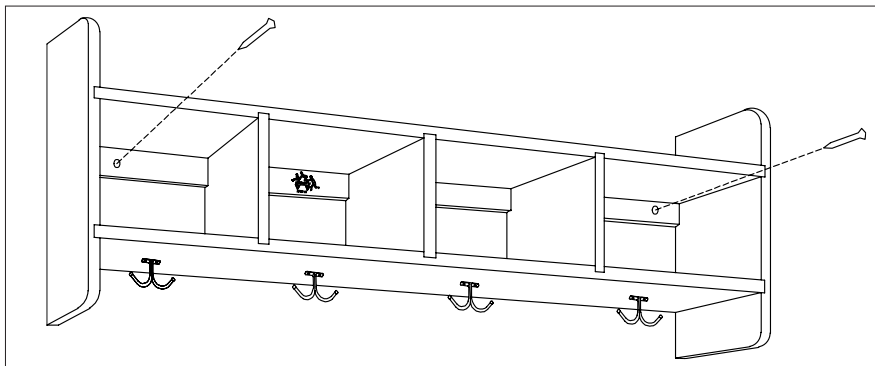


Figure 1